

**AXOR Starck Organic**  
**2-handle basin mixer 80 with pop-up waste set**  
 Surfaces: **Chrome** Article Number: **12010000**



### Description

#### product features

- consists of: 2-handle basin mixer, waste set
- ComfortZone 80
- projection 116 mm
- shower spray
- flow rate at 3 bar: 3.5 l/min
- flow rate booster: 5 l/min
- ceramic cartridge for temperature control
- ceramic valve for volume control
- temperature limitation adjustable
- separation of temperature and volume control
- with isolated water conduction
- suitable for continuous flow water heaters
- pop-up waste set G 1¼
- connection type: G ¾ connections
- connection dimension: DN15

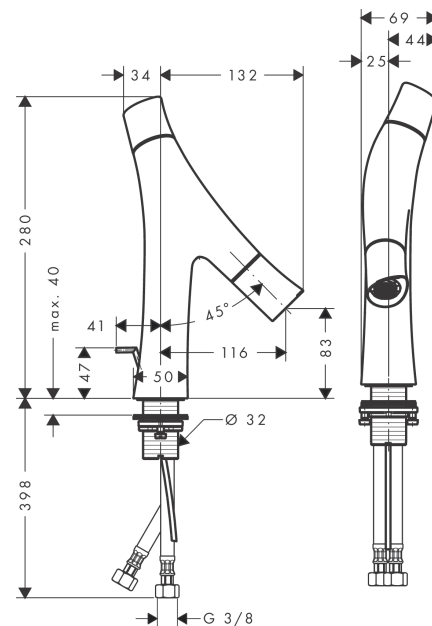
### Technology



### Product image



### Scale drawing



**AXOR Starck Organic**  
**2-handle basin mixer 80 with pop-up waste set**  
 Surfaces: **Chrome**    Article Number: **12010000**



### Flowchart

