

ACCESSORIES ARCHITECTURA

PRODUCT INFORMATION

1 . POSITION



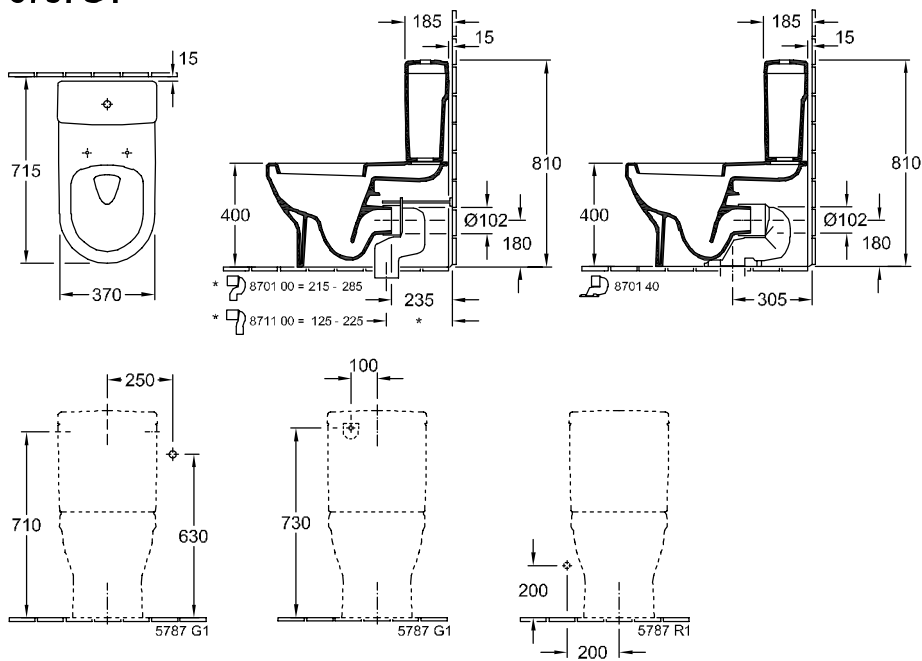
Model	5787G1
Collection	Architectura
PROJECTS	■ PLUS
Weight	15 kg
description	Sanitary ceramics EN 997 flushing mechanism with DualFlush water-saving button Flushing mechanism finishes: chrome
Inlet	water inlet from the sides or rear
material	Sanitary ceramics
Specification texts	Architectura; Cistern; Sanitary ceramics; EN 997; flushing mechanism with DualFlush water- saving button; Flushing mechanism finishes: chrome

COLOURS

White Alpin	5787G101	4051202569822
White Alpin CeramicPlus	5787G1R1	4051202569839

TECHNICAL DRAWINGS

5787G1



TECHNICAL DRAWINGS

5787G1

