

UNDERCOUNTER WASHBASIN LOOP & FRIENDS

PRODUCT INFORMATION

1 . POSITION



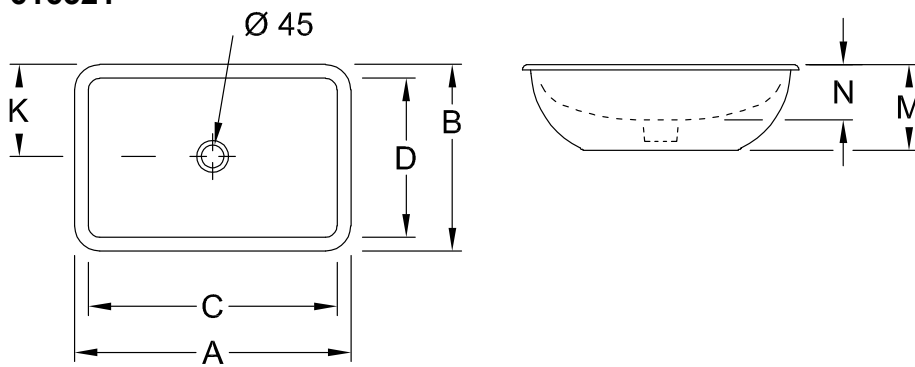
Model	616321
Collection	Loop & Friends
PROJECTS	DESIGN
Width	615 mm
Depth	380 mm
Weight	17,3 kg
description	outside surface glazed Sanitary ceramics the hole for the washbasin can only be cut out using the original washbasin because tolerances of several millimetres are possible, installation possible in natural stone and laminate countertops fastening set included EN 31, EN 14688 Please order non-closable drain valve separately.
Tap fitting / Tap hole remark	without tap hole area
Overflow remark	without overflow, Please note: unclosable outlet valve must be used with models without overflow
material	Sanitary ceramics
Specification texts	Loop & Friends; Undercounter washbasin; Sanitary ceramics; Size: 615 x 380 mm; Rectangle; outside surface glazed; without tap hole area; without overflow; Please note: unclosable outlet valve must be used with models without overflow; the hole for the washbasin can only be cut out using the original washbasin because tolerances of several millimetres are possible, installation possible in natural stone and laminate countertops; fastening set included; EN 31, EN 14688; Please order non-closable drain valve separately.

COLOURS

White Alpin CeramicPlus	616321R1	4022693695598
Star White CeramicPlus	616321R2	4022693695604
Pergamon CeramicPlus	616321R3	4022693695611
White Alpin	61632101	4022693695529

TECHNICAL DRAWINGS

616321



	A	B	C	D	K	M	N
6163 10	510	340	450	280	170	160	115
6163 11	510	340	450	280	170	160	115
6163 00	600	405	540	340	203	180	120
6163 01	600	405	540	340	203	180	120
6163 20	675	450	615	380	225	180	140
6163 21	675	450	615	380	225	180	140